



DNH

DH-50

HEAD OFFICE, NORWAY
DNH AS

Phone..... + 47 35 98 56 00
Fax..... + 47 35 98 56 10
E-mail..... dnh@dnh.no
Web-Site..... www.dnh.no

ENGLAND
DNH WW Ltd

Phone..... + 44 1908 275 000
Fax..... + 44 1908 275 100
E-mail..... dnh@dnh.co.uk

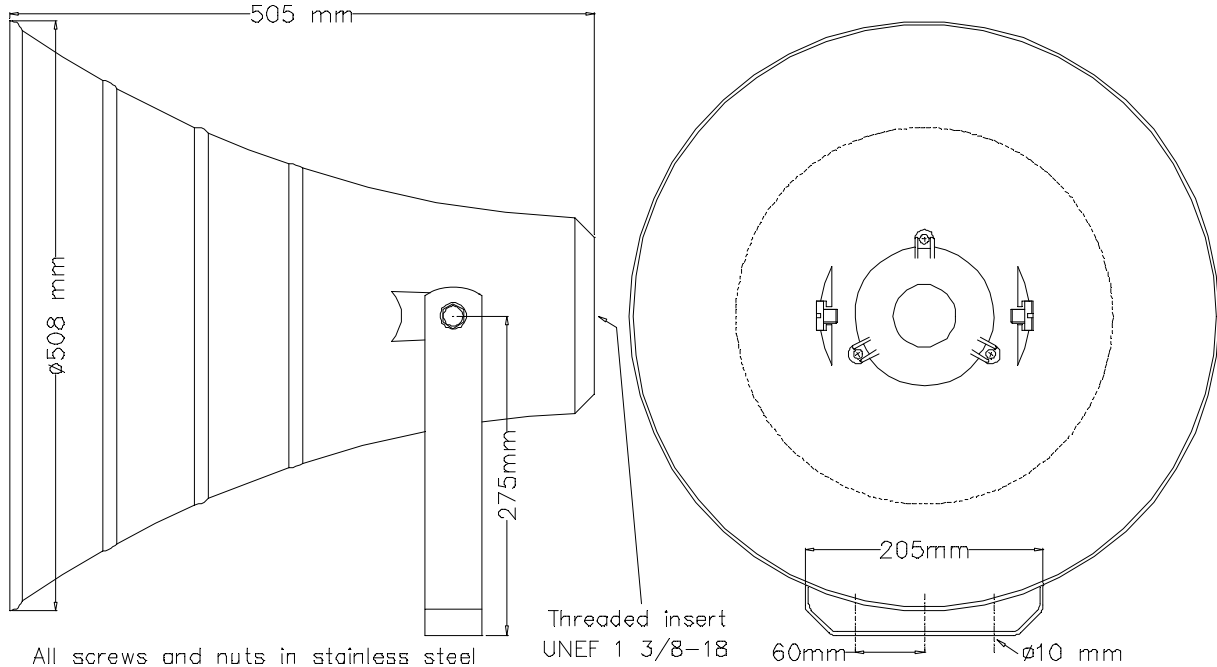
GERMANY
DNH GmbH

Phone... + 49 040 6569 30-0
Fax..... + 49 040 6569 30-30
E-mail..... dnh@dnh.de

USA
DNH Speakers Inc

Phone..... + 1 484 494 5790
Fax..... + 1 484 494 5793
E-mail..... dnh@dnhspeakers.com

ISO 9001 CERTIFIED



Sound pressure levels at 1W/1m with DS-100 driver

SPL vs Freq



Specifications

| | |
|-------------------------------|---|
| Material / Color | Fiberglass laminated polyester / RAL 7035 |
| Mounting Termination | Bracket |
| Weight w/transformer | 5,15 kg |
| IP-rating | |
| Max. / min. amb. temp | |
| Rated / max. power | |
| SPL 1W/1m | |
| SPL rated power | |
| Effective freq. range | |
| Dispersion (-6dB) 1kHz / 4kHz | |
| Directivity factor, Q | |
| Options | Impedances, colors, labels |

Installation, Operation and Maintenance Procedures

- Screw a suitable driver unit (DUP-40 / DST-100) into the threaded insert (1 3/8-18).
- Use enclosed gasket to achieve max fit.
- Fasten bracket to wall with 3 screws.
- To change the position of the horn, please adjust the bracket (by loosening / tightening the screws) as required.
- This horn is supplied with a 2 year warranty against defective materials and workmanship.

DNH reserves the right to alter specifications without notice

